



■ Connectivity Solutions

## Panel mounted connector



**Artikel-Nr.: 490061**  
M8 female 4 pol.  
0,5m TPE wire



**Artikel-Nr.: 490063**  
M8 male 4 pol.  
0,5m TPE wire



**Artikel-Nr.: 490066**  
M12 female 8 pol.  
A coded  
0,5m TPE wire



**Artikel-Nr.: 490112**  
USB 3.0 panel connector  
female / female

M8 panel jack



<b>Identification</b>	Type Part-No.	KUGE-M8 4pol. 0,5m Litze 490061
<b>Description</b>	M8 panel connectors using M8 thread Female 0.5 m TPE wire	
<b>Technical data</b>	Rated voltage $U_N$ AC/DC 24 V Rated voltage max. 30 V Rated current 4 A Pole number 4 Cable length 0.5 m	
<b>General</b>	Form male 1 M 8 female straight Rated insulation voltage 60 V Test voltage 800 V Degree of pollution 3 Insulation resistance > 100 M $\Omega$ Contact resistance < 3 m $\Omega$	

21.03.2018 – Subject to technical modification

Part-No. 490061

USA: LUTZE INC.

13330 South Ridge Drive • Charlotte, NC 28273, USA  
 Tel. +1 (704) 504-0222 • Fax +1 (704) 504-0223  
 www.lutze.com • info@lutze.com

United Kingdom: LÜTZE Ltd.

Unit 3, Sandy Hill Park  
 Sandy Way, Amington • GB-Tamworth, Staffs B77 4DU  
 Tel. +44 (0)1827 31333-0 • Fax +44 (0)1827 31333-2  
 www.lutze.com • sales.gb@lutze.co.uk



SYSTEMATIC TECHNOLOGY

## Technical data sheet • Actuator sensor interface

---

Flamability according to UL 94	HB
Protection class	IP67
Housing material	Zinc die-casting
Contact material	CuZn, gold-plated
Thread material	CuZn nickel-plate
Material sealing ring	NBR
Number of conductors/cross-section	0.25 mm <sup>2</sup> (14x0.15 mm)
Conductor insulation	TPE
Storage temperature range	-40 °C ... +90 °C
Temperature range connector	-25 °C ... +85 °C
Mechanical service life	>100 insertion cycles
Cross-section, metric	0.25 mm <sup>2</sup>
Weight	0.014 kg/piece
Connection device	M 8
PU	1 piece

---

**Comments** Included in scope of delivery: M8 lock nut

### Connection assignment

#### Pole / wire color:

1/ BN (brown)  
3/ BU (blue)  
4/ BK (black)

1/ BN (brown)  
2/ WH (white)  
3/ BU (blue)  
4/ BK (black)

21.03.2018 – Subject to technical modification

Part-No. 490061

USA: LUTZE INC.

13330 South Ridge Drive • Charlotte, NC 28273, USA  
Tel. +1 (704) 504-0222 • Fax +1 (704) 504-0223  
www.lutze.com • info@lutze.com

United Kingdom: LÜTZE Ltd.

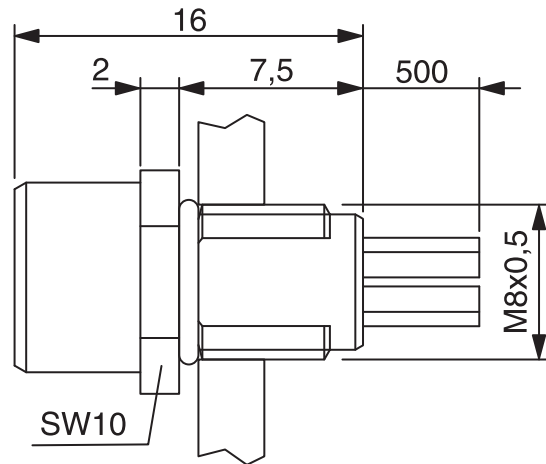
Unit 3, Sandy Hill Park  
Sandy Way, Amington • GB-Tamworth, Staffs B77 4DU  
Tel. +44 (0)1827 31333-0 • Fax +44 (0)1827 31333-2  
www.lutze.com • sales.gb@lutze.co.uk



SYSTEMATIC TECHNOLOGY

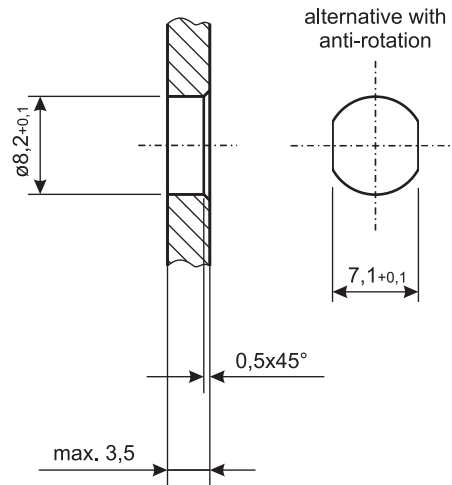
# Technical data sheet • Actuator sensor interface

## Dimensions

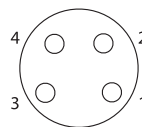


## Mounting diagram

assembling board with through bore-hole  
2:1



## Pin layout



21.03.2018 – Subject to technical modification

Part-No. 490061

USA: LUTZE INC.

13330 South Ridge Drive • Charlotte, NC 28273, USA  
Tel. +1 (704) 504-0222 • Fax +1 (704) 504-0223  
www.lutze.com • info@lutze.com

United Kingdom: LÜTZE Ltd.

Unit 3, Sandy Hill Park  
Sandy Way, Amington • GB-Tamworth, Staffs B77 4DU  
Tel. +44 (0)1827 31333-0 • Fax +44 (0)1827 31333-2  
www.lutze.com • sales.gb@lutze.co.uk

M8 panel jack



<b>Identification</b>	Type	STGE-M8 4pol. 0,5m Litze
	Part-No.	490063
<b>Description</b>	M8 panel connectors using M8 thread	
	Male	
	0.5 m TPE wire	
<b>Technical data</b>	Rated voltage $U_N$	
	AC/DC 24 V	
	Rated voltage max.	
	30 V	
	Rated current	
	4 A	
	Pole number	
	4	
	Cable length	
	0.5 m	
<b>General</b>	Form male 1	
	M 8	
	male	
	straight	
	Rated insulation voltage	
	30 V	
	Test voltage	
	800 V	
	Degree of pollution	
	3	
	Insulation resistance	
	> 100 M $\Omega$	
	Contact resistance	
	< 3 m $\Omega$	

21.03.2018 – Subject to technical modification

Part-No. 490063

USA: LUTZE INC.

13330 South Ridge Drive • Charlotte, NC 28273, USA  
 Tel. +1 (704) 504-0222 • Fax +1 (704) 504-0223  
 www.lutze.com • info@lutze.com

United Kingdom: LÜTZE Ltd.

Unit 3, Sandy Hill Park  
 Sandy Way, Amington • GB-Tamworth, Staffs B77 4DU  
 Tel. +44 (0)1827 31333-0 • Fax +44 (0)1827 31333-2  
 www.lutze.com • sales.gb@lutze.co.uk



SYSTEMATIC TECHNOLOGY

## Technical data sheet • Actuator sensor interface

Flamability according to UL 94	HB
Protection class	IP67
Housing material	Zinc die-casting
Contact material	CuZn, gold-plated
Thread material	CuZn nickel-plate
Number of conductors/cross-section	0.25 mm <sup>2</sup> (14x0.15 mm)
Conductor insulation	TPE
Storage temperature range	-40 °C ... +90 °C
Temperature range connector	-25 °C ... +85 °C
Mechanical service life	>100 insertion cycles
Cross-section, metric	0.25 mm <sup>2</sup>
Weight	0.014 kg/piece
Connection device	M 8
PU	1 piece

**Comments** Included in scope of delivery: M8 lock nut

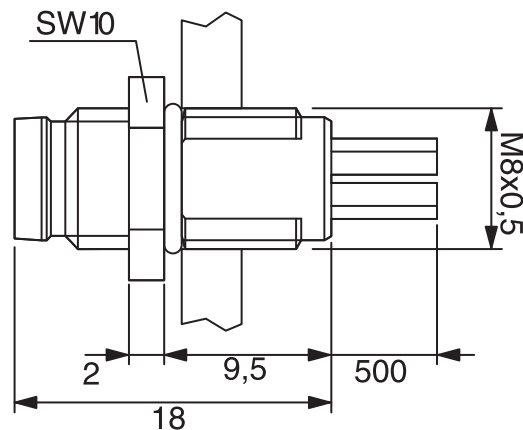
### Connection assignment

#### Pole / wire color:

1/ BN (brown)  
3/ BU (blue)  
4/ BK (black)

1/ BN (brown)  
2/ WH (white)  
3/ BU (blue)  
4/ BK (black)

### Dimensions



21.03.2018 – Subject to technical modification

Part-No. 490063

USA: LUTZE INC.

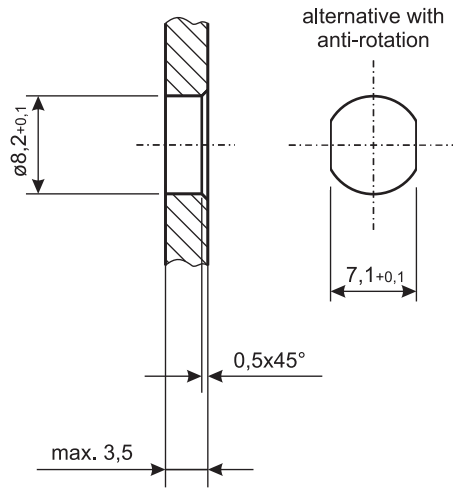
13330 South Ridge Drive • Charlotte, NC 28273, USA  
Tel. +1 (704) 504-0222 • Fax +1 (704) 504-0223  
www.lutze.com • info@lutze.com

United Kingdom: LÜTZE Ltd.

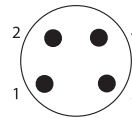
Unit 3, Sandy Hill Park  
Sandy Way, Amington • GB-Tamworth, Staffs B77 4DU  
Tel. +44 (0)1827 31333-0 • Fax +44 (0)1827 31333-2  
www.lutze.com • sales.gb@lutze.co.uk

Mounting diagram

assembling board with through bore-hole  
2:1



Pin layout



21.03.2018 – Subject to technical modification

Part-No. 490063

USA: LUTZE INC.

13330 South Ridge Drive • Charlotte, NC 28273, USA  
Tel. +1 (704) 504-0222 • Fax +1 (704) 504-0223  
www.lutze.com • info@lutze.com

United Kingdom: LÜTZE Ltd.

Unit 3, Sandy Hill Park  
Sandy Way, Amington • GB-Tamworth, Staffs B77 4DU  
Tel. +44 (0)1827 31333-0 • Fax +44 (0)1827 31333-2  
www.lutze.com • sales.gb@lutze.co.uk

## Technical data sheet • Actuator sensor interface

M12 panel jack



<b>Identification</b>	Type	KUGE-M12 8pol. 0,5m Litze
	Part-No.	490066
<b>Description</b>		
	M12 connectors panel mounted using M16 thread Female - A coded 0.5 m TPE wire	
<b>Technical data</b>		
Rated voltage $U_N$	AC/DC 24 V	
Rated voltage max.	30 V	
Rated current	2 A	
Pole number	8	
Cable length	0.5 m	
Coding	A	
<b>General</b>		
Form male 1	M 12 male straight	
Form male 2	M 12 female straight	
Rated insulation voltage	30 V	

15.11.2018 – Subject to technical modification

Part-No. 490066

USA: LUTZE INC.

13330 South Ridge Drive • Charlotte, NC 28273, USA  
Tel. +1 (704) 504-0222 • Fax +1 (704) 504-0223  
www.lutze.com • info@lutze.com

United Kingdom: LÜTZE Ltd.

Unit 3, Sandy Hill Park  
Sandy Way, Amington • GB-Tamworth, Staffs B77 4DU  
Tel. +44 (0)1827 31333-0 • Fax +44 (0)1827 31333-2  
www.lutze.com • sales.gb@lutze.co.uk



SYSTEMATIC TECHNOLOGY

## Technical data sheet • Actuator sensor interface

---

Test voltage	800 V
Degree of pollution	3
Insulation resistance	> 100 MΩ
Contact resistance	< 3 mΩ
Flamability according to UL 94	V0
Protection class	IP67
Housing material	Zinc die-casting
Contact material	CuZn, gold-plated
Thread material	CuZn nickel-plate
Material sealing ring	NBR
Number of conductors/cross-section	0.25 mm <sup>2</sup> (14×0.15 mm)
Conductor insulation	TPE
Cable diameter	1.2 mm
Storage temperature range	-40 °C ... +90 °C
Temperature range connector	-25 °C ... +90 °C
Mechanical service life	>100 insertion cycles
Cross-section, metric	0.25 mm <sup>2</sup>
Weight	0.025 kg/piece
Connection device	M 16
PU	1 piece

---

### Comments

### Connection assignment

#### Pole / wire color:

- 1/ WH (white)
- 2/ BN (brown)
- 3/ GN (green)
- 4/ YE (yellow)
- 5/ GY (grey)
- 6/ PK (pink)
- 7/ BU (blue)
- 8/ RD (red)

15.11.2018 – Subject to technical modification

Part-No. 490066

USA: LUTZE INC.

13330 South Ridge Drive • Charlotte, NC 28273, USA  
Tel. +1 (704) 504-0222 • Fax +1 (704) 504-0223  
www.lutze.com • info@lutze.com

United Kingdom: LÜTZE Ltd.

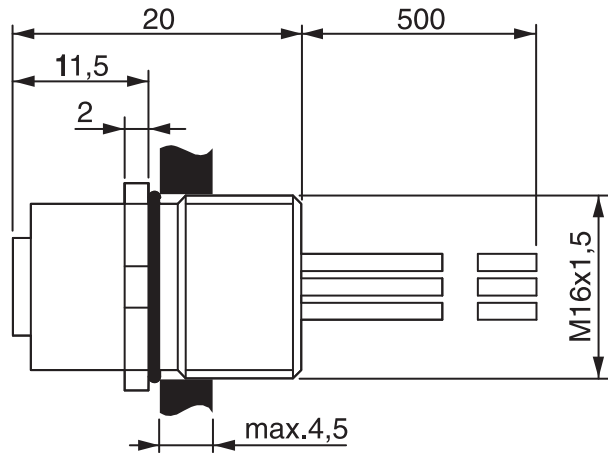
Unit 3, Sandy Hill Park  
Sandy Way, Amington • GB-Tamworth, Staffs B77 4DU  
Tel. +44 (0)1827 31333-0 • Fax +44 (0)1827 31333-2  
www.lutze.com • sales.gb@lutze.co.uk



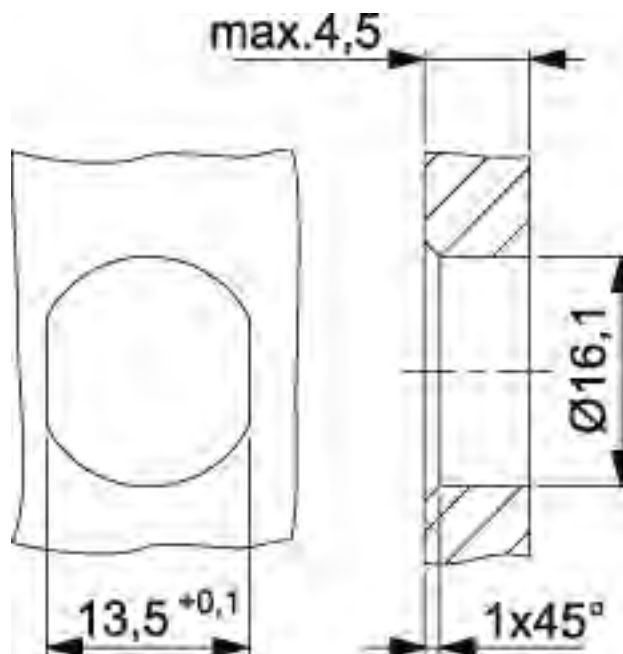
SYSTEMATIC TECHNOLOGY

# Technical data sheet • Actuator sensor interface

## Dimensions



## Mounting diagram



## Pin layout



## Accessories

**Counter nut M16:**  
Part-No. 600361 | GMS M16 | PU: 100 units

15.11.2018 – Subject to technical modification

Part-No. 490066

USA: LUTZE INC.

13330 South Ridge Drive • Charlotte, NC 28273, USA

Tel. +1 (704) 504-0222 • Fax +1 (704) 504-0223

www.lutze.com • info@lutze.com

United Kingdom: LÜTZE Ltd.

Unit 3, Sandy Hill Park

Sandy Way, Amington • GB-Tamworth, Staffs B77 4DU

Tel. +44 (0)1827 31333-0 • Fax +44 (0)1827 31333-2

www.lutze.com • sales.gb@lutze.co.uk



SYSTEMATIC TECHNOLOGY



---

<b>Identification</b>	Type	USB-3.0 A/A F/F
	Part-No.	490112

---

---

<b>Description</b>	USB 3.0 panel connector with M22 thread for front installation USB 3.0 female / female Type A/A Type: USB-3.0 A/A F/F
--------------------	---

---

---

<b>Technical data</b>	
Rated voltage $U_N$	AC/DC 5 V
Rated voltage max.	30 V
Rated current	0.9 A
Pole number	9
Transfer rate	5 Gbit/s
USB standard	3.0
Contact type	1 : 1
Shielding	shielded

---

---

<b>General</b>	
Degree of pollution	3
Insulation resistance	> 100 M $\Omega$
Contact resistance	< 30 m $\Omega$
Protection class	IP65 and NEMA UL Type 12 in closed and IP20 in inserted condition

---

25.06.2018 – Subject to technical modification

Part-No. 490112

USA: LUTZE INC.

13330 South Ridge Drive • Charlotte, NC 28273, USA  
Tel. +1 (704) 504-0222 • Fax +1 (704) 504-0223  
www.lutze.com • info@lutze.com

United Kingdom: LÜTZE Ltd.

Unit 3, Sandy Hill Park  
Sandy Way, Amington • GB-Tamworth, Staffs B77 4DU  
Tel. +44 (0)1827 31333-0 • Fax +44 (0)1827 31333-2  
www.lutze.com • sales.gb@lutze.co.uk

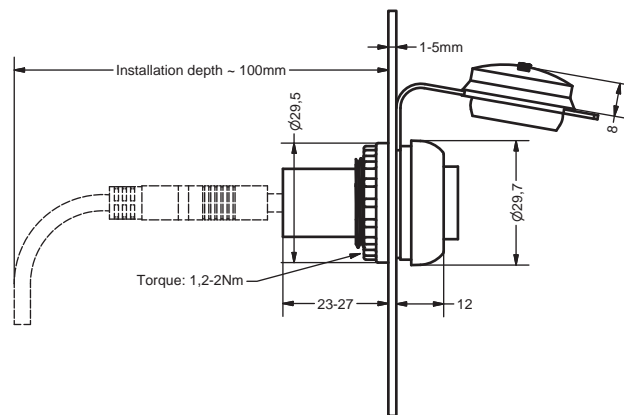


## Technical data sheet • Actuator sensor interface

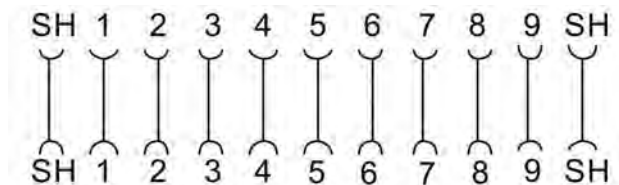
Housing material	PA, PVC
Cover	TPU
Contact material	CuSn, gold-plated
Mounting	Front installation
Installation depth	100 mm
Operation temperature range	-20 °C ... +70 °C
Storage temperature range	-25 °C ... +80 °C
Dimensions (Øxd)	29.5 × 42.5 mm
Mechanical service life	>100 insertion cycles
Weight	0.009 kg/piece
Approvals	cULus (E326112)
PU	1 piece

**Comments** Included in the delivery: captive safety cap

### Dimensions



### PIN assignment



25.06.2018 – Subject to technical modification

Part-No. 490112

USA: LUTZE INC.

13330 South Ridge Drive • Charlotte, NC 28273, USA

Tel. +1 (704) 504-0222 • Fax +1 (704) 504-0223

www.lutze.com • info@lutze.com

United Kingdom: LÜTZE Ltd.

Unit 3, Sandy Hill Park

Sandy Way, Amington • GB-Tamworth, Staffs B77 4DU

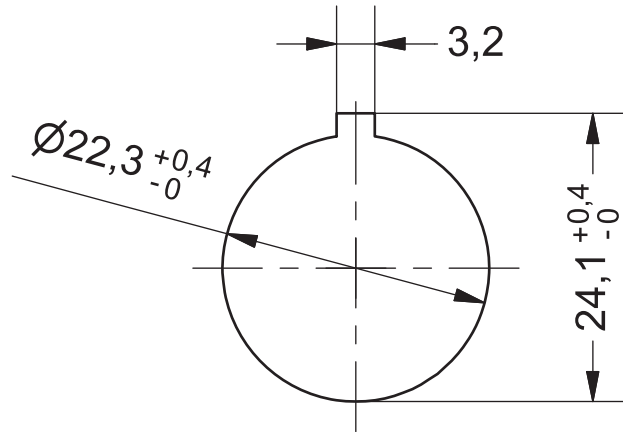
Tel. +44 (0)1827 31333-0 • Fax +44 (0)1827 31333-2

www.lutze.com • sales.gb@lutze.co.uk

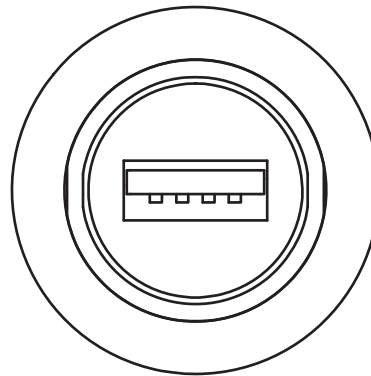


SYSTEMATIC TECHNOLOGY

Mounting diagram



front view



Logo



25.06.2018 – Subject to technical modification

Part-No. 490112

USA: LUTZE INC.

13330 South Ridge Drive • Charlotte, NC 28273, USA  
Tel. +1 (704) 504-0222 • Fax +1 (704) 504-0223  
www.lutze.com • info@lutze.com

United Kingdom: LÜTZE Ltd.

Unit 3, Sandy Hill Park  
Sandy Way, Amington • GB-Tamworth, Staffs B77 4DU  
Tel. +44 (0)1827 31333-0 • Fax +44 (0)1827 31333-2  
www.lutze.com • sales.gb@lutze.co.uk